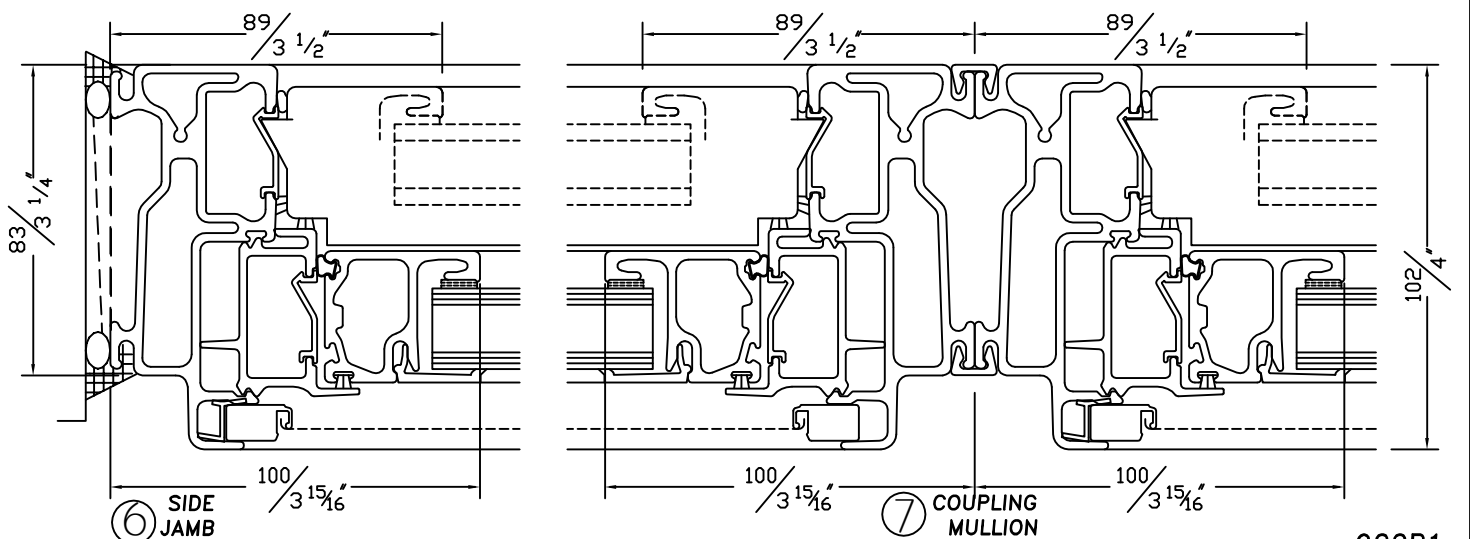
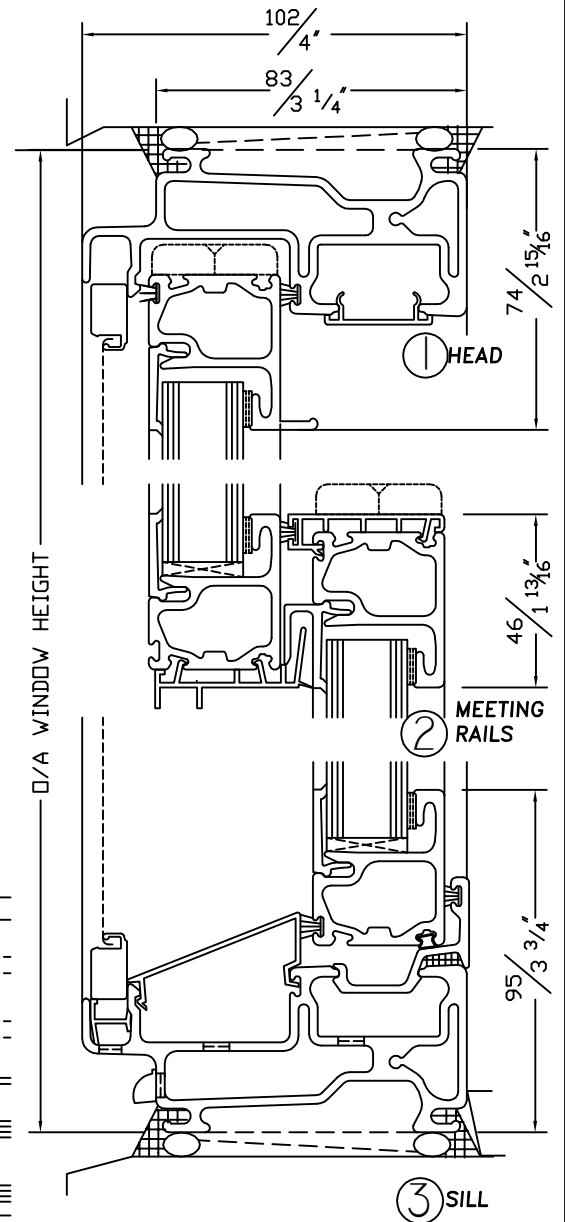
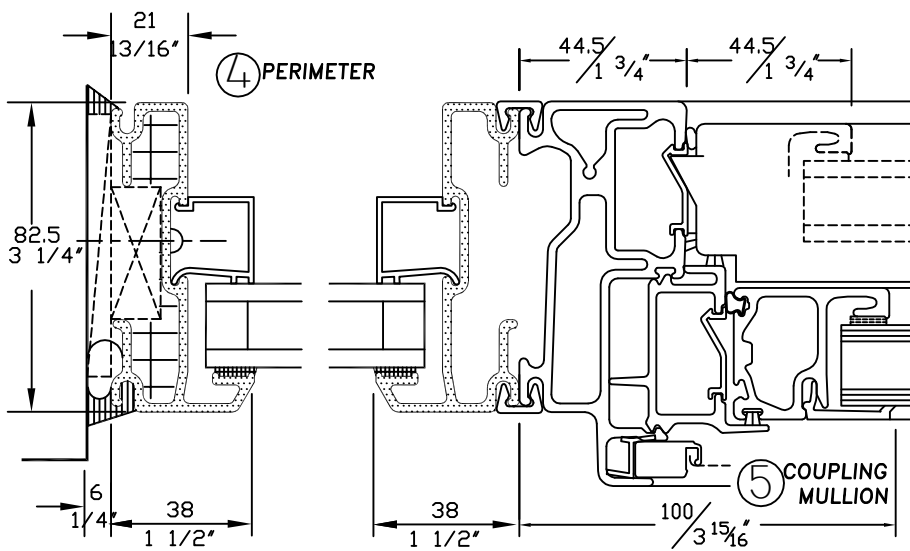
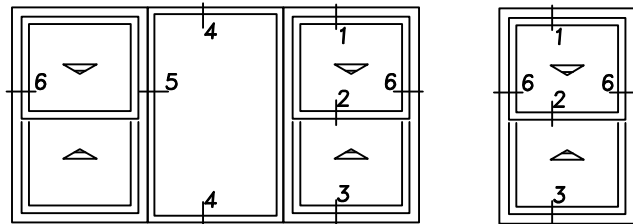
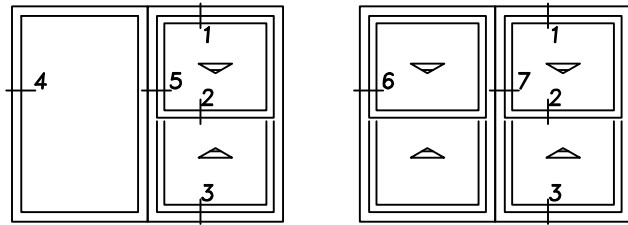


INLINE FIBERGLASS 900series WINDOWS

VERTICAL DOUBLE HUNG TILT WINDOW



900P1