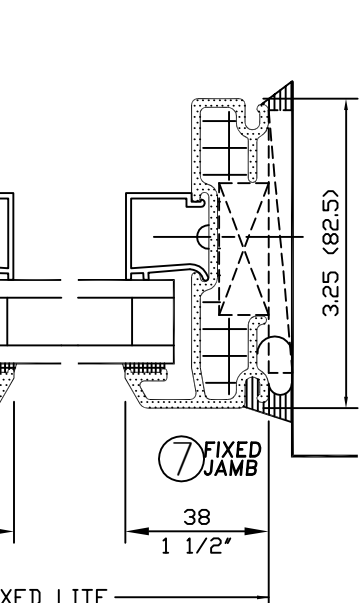
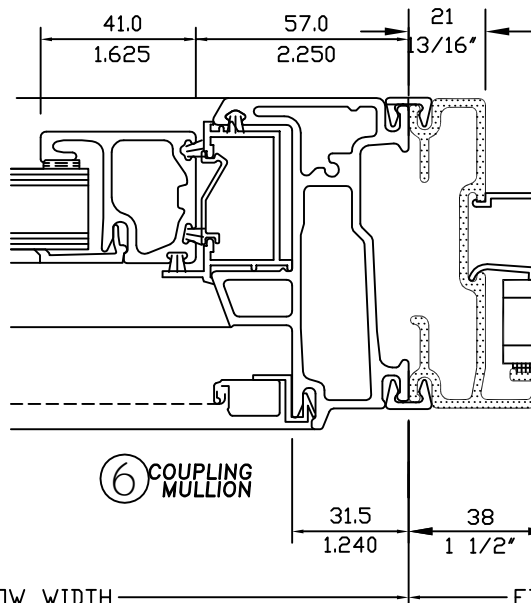
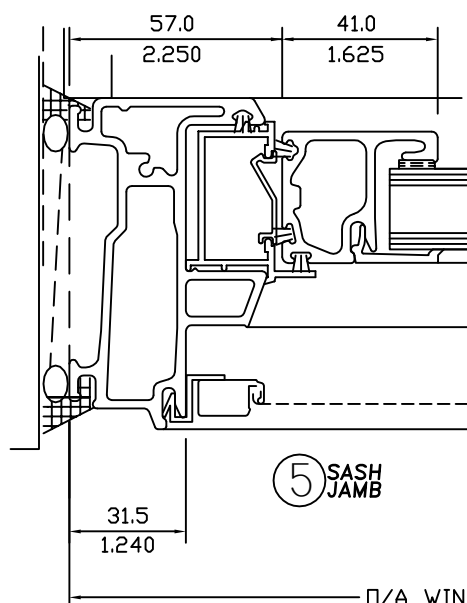
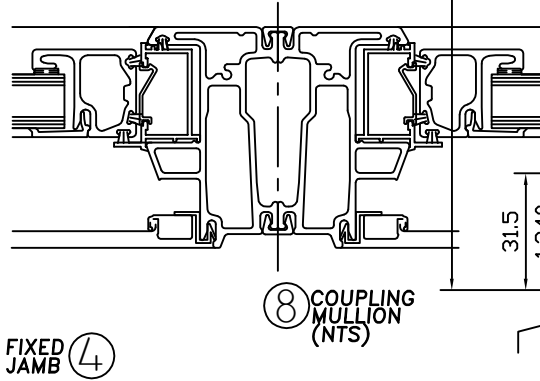
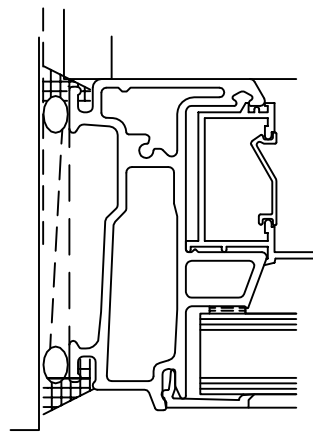
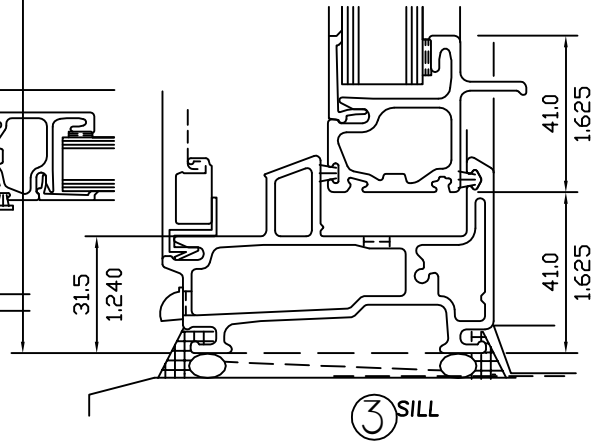
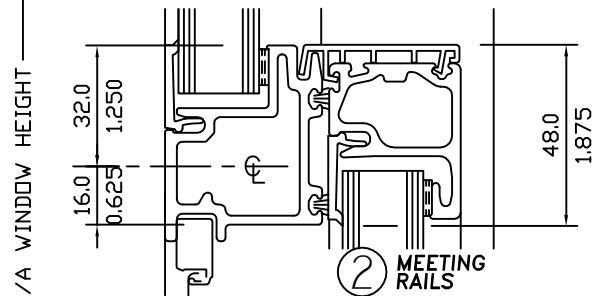
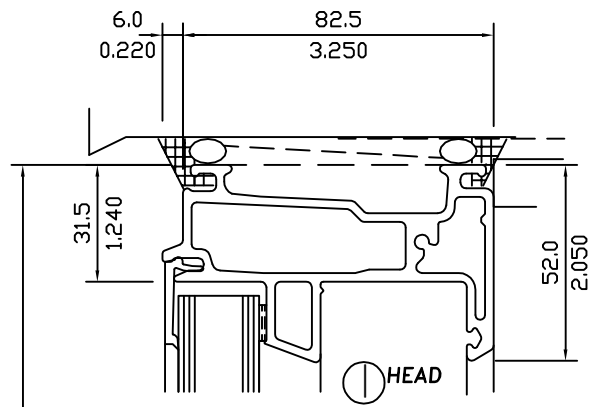
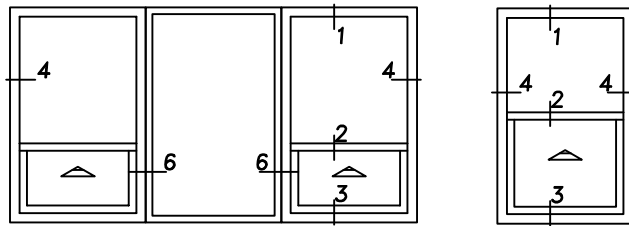
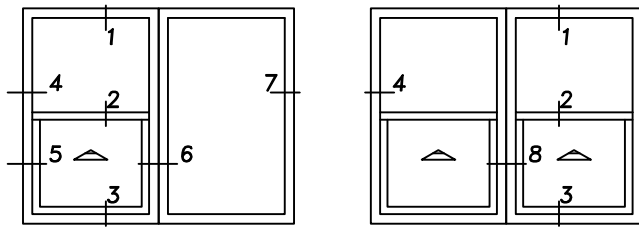


# INLINE FIBERGLASS 850 series WINDOWS

## VERTICAL SINGLE HUNG TILT WINDOW



O/A WINDOW WIDTH

FIXED LITE