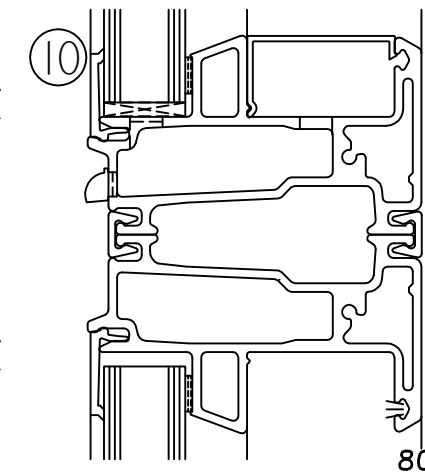
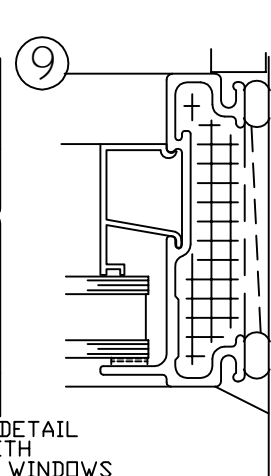
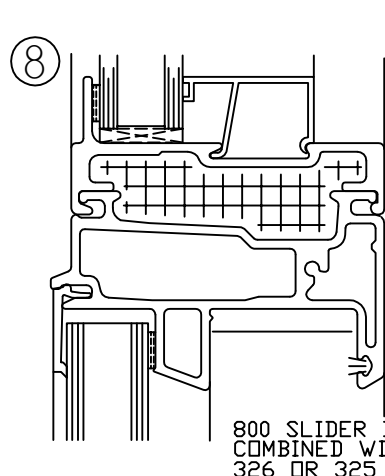
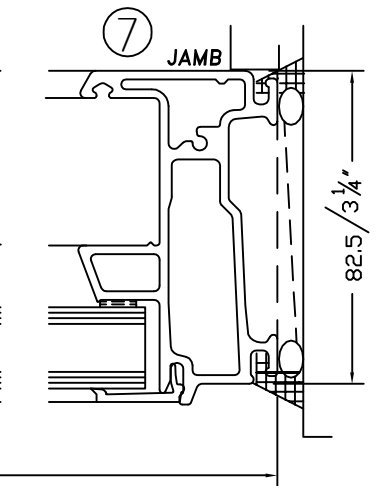
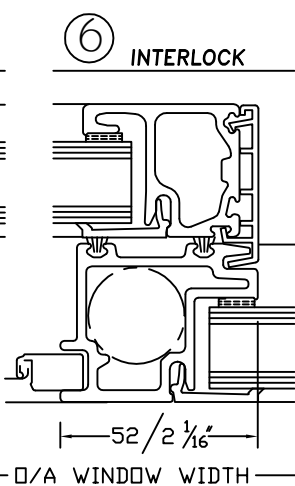
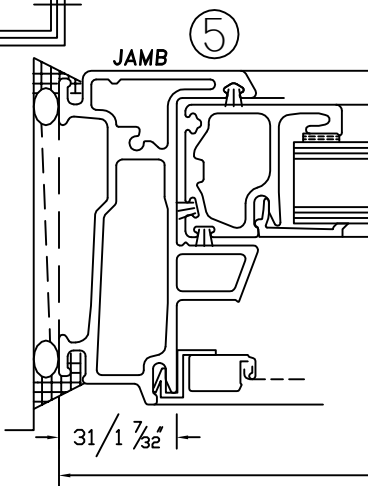
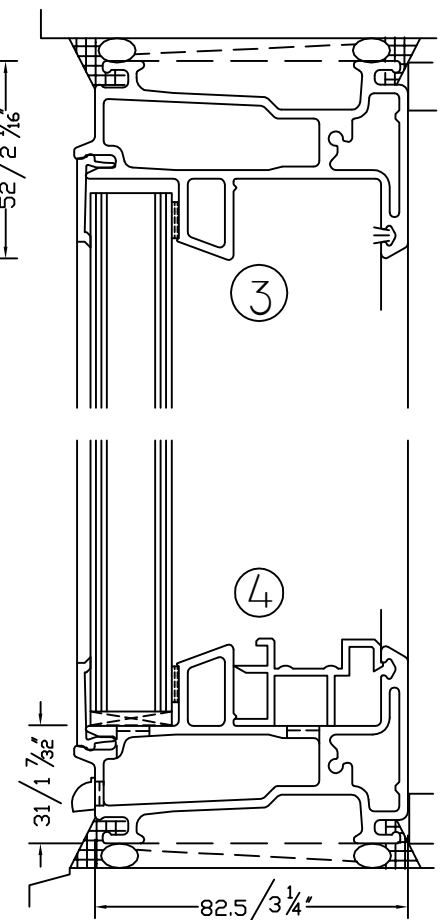
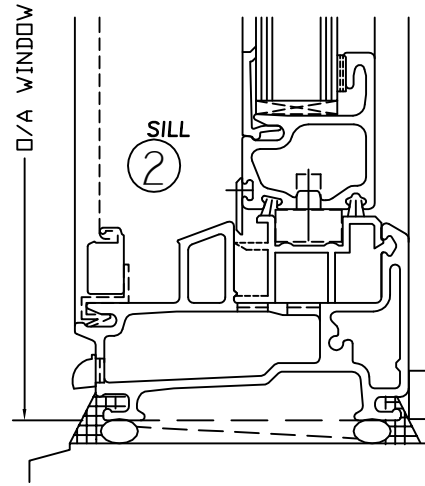
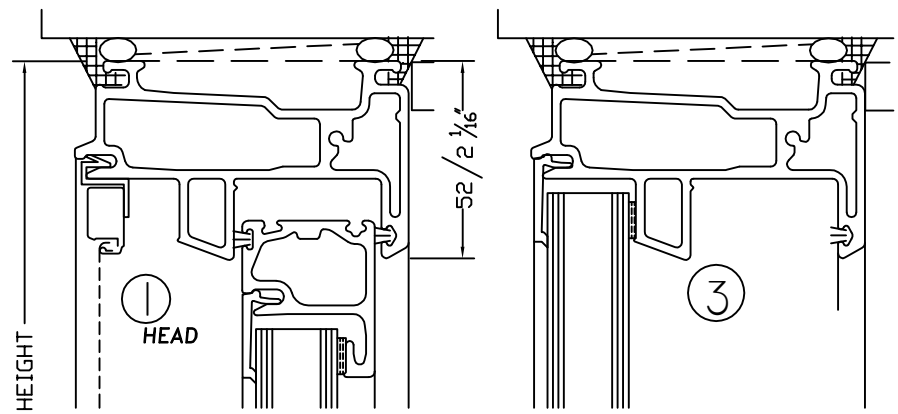
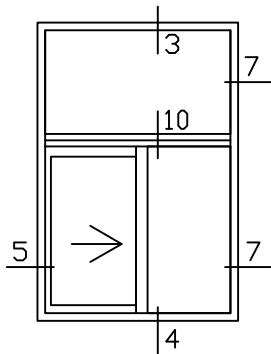
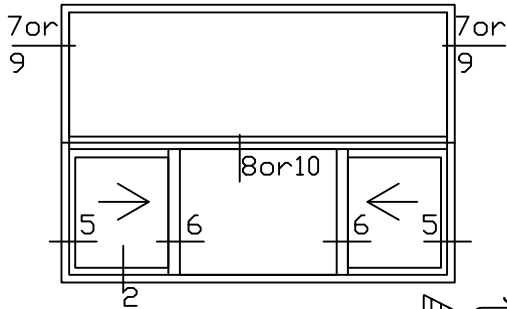
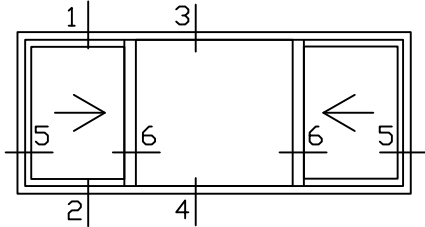
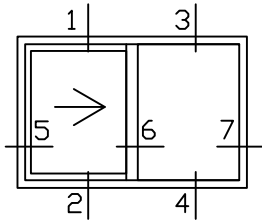


INLINE FIBERGLASS 800 series WINDOWS

• HORIZONTAL SLIDER



800 SLIDER DETAIL
COMBINED WITH
326 OR 325 WINDOWS